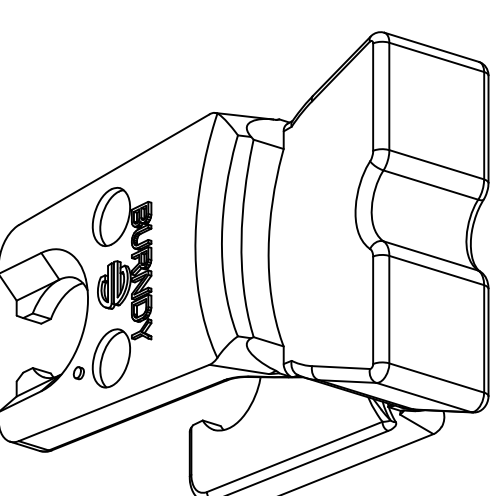
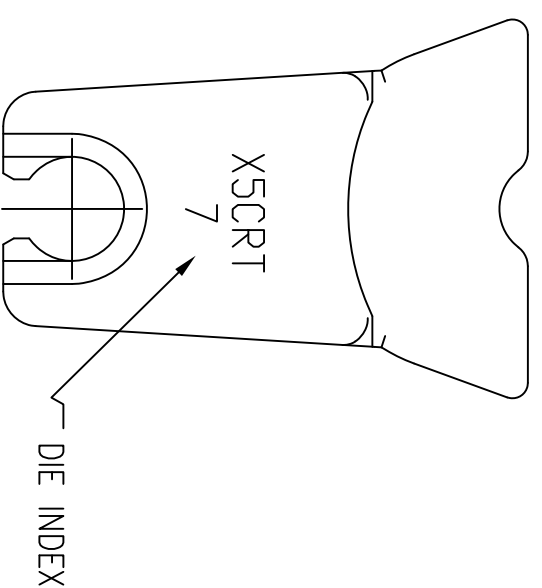
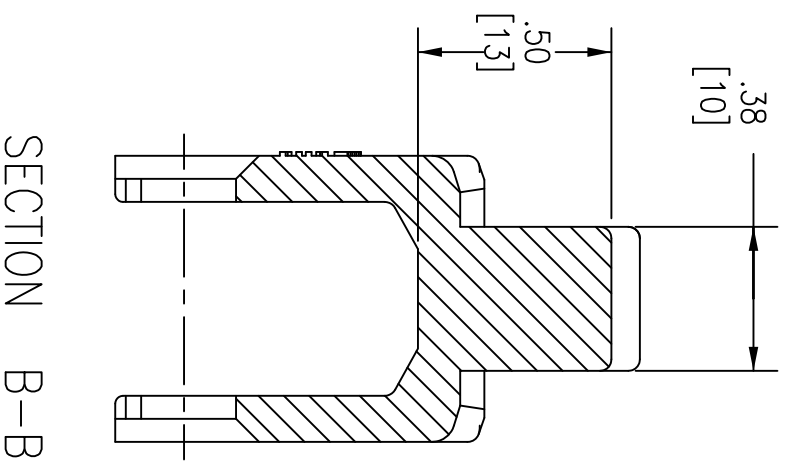
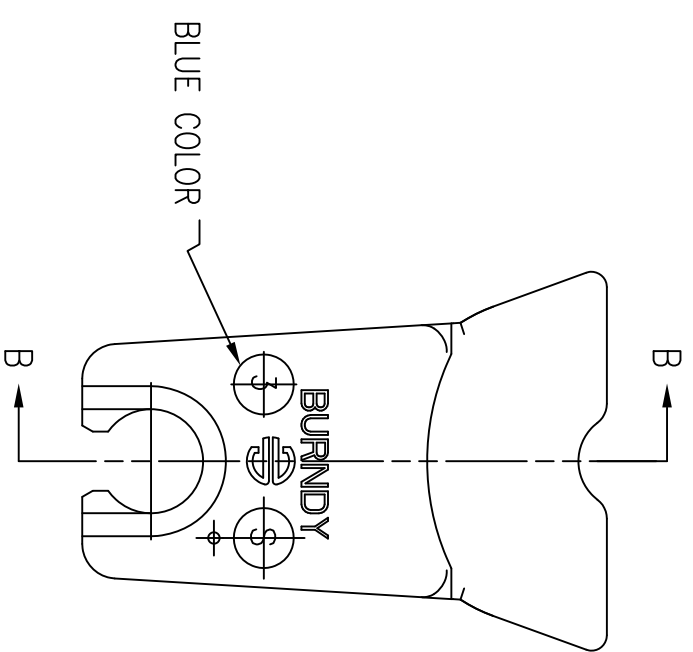
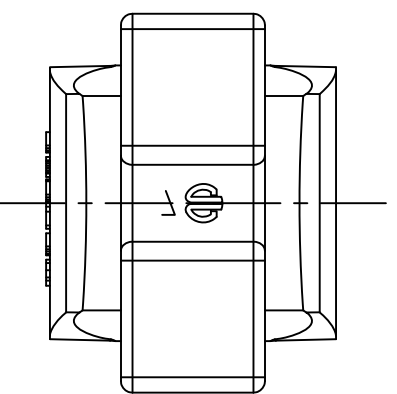
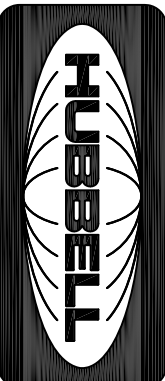


CATALOG NUMBER	DESCRIPTION
HX5CRT	6 AWG, 7 INDEX DIE SET



- NOTES:
1. KIT CONTAINS ONE DIE SET.
 2. MATERIAL: STAINLESS STEEL
 3. FITS HOUR840 COMPRESSION TOOL.
 4. SPECIFICATIONS SUBJECT TO CHANGE WITHOUT NOTICE.

1		18024	12/10/12	INITIAL RELEASE	MMA	CHG BY	APPD BY	Created on AUTOCAD	
DIMENSIONING AND TOLERANCE PER		ANSI Y14.5M-1994							
UNLESS OTHERWISE SPECIFIED,		DIMENSIONS ARE IN INCHES (MM).							
TOLERANCES		.XX = ±.01 (.25)							
.XXX = ±.005 (.127)		.XXXX = ±.0025 (.0635)							
ANGLE TOL ±1°		IN ACCEPTING OUR DRAWINGS,							
BLUPRINTS, OR SUPPORTING		DOCUMENTATION FOR QUOTATION							
OR OTHER PURPOSES, YOU AGREE		NOT TO DISCLOSE TO OTHERS							
THE IDEAS, INFORMATION, OR		DESIGNS SHOWN HEREIN, AND							
THAT YOU WILL MAKE NO USE		OF SAME WITHOUT PERMISSION							
PROJECT REFERENCE:		2011-041							
MATERIAL:		SEE NOTES							
DRAWN BY:		C. GRIBBLE 10/9/12							
CHECKED BY:									
APPROVED BY:									
TITLE:		 Hubbell Premise Wiring HUBBELL INCORPORATED (Delaware) 23 CLARA DRIVE, SUITE 103 MYSTIC, CT 06355							
SIZE		DRAWING NO. HW514178C							
SCALE:		N/A							
SHEET		1 OF 1							
REV.		1							

REV.	ECN	DATE	DESCRIPTION	CHG BY	APPD BY
1	18024	12/10/12	INITIAL RELEASE	MMA	